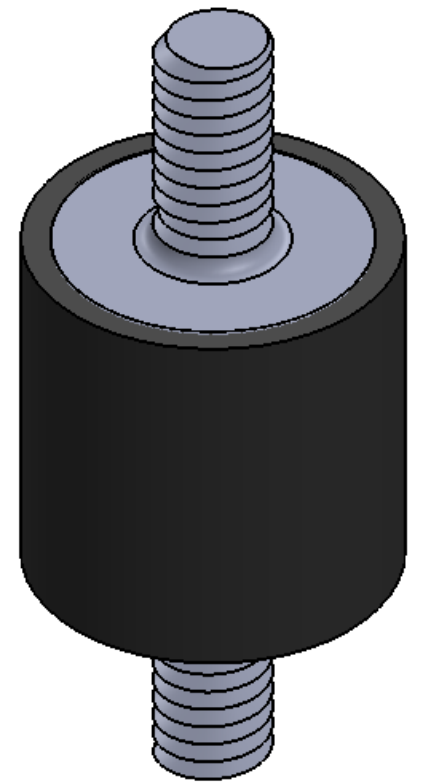
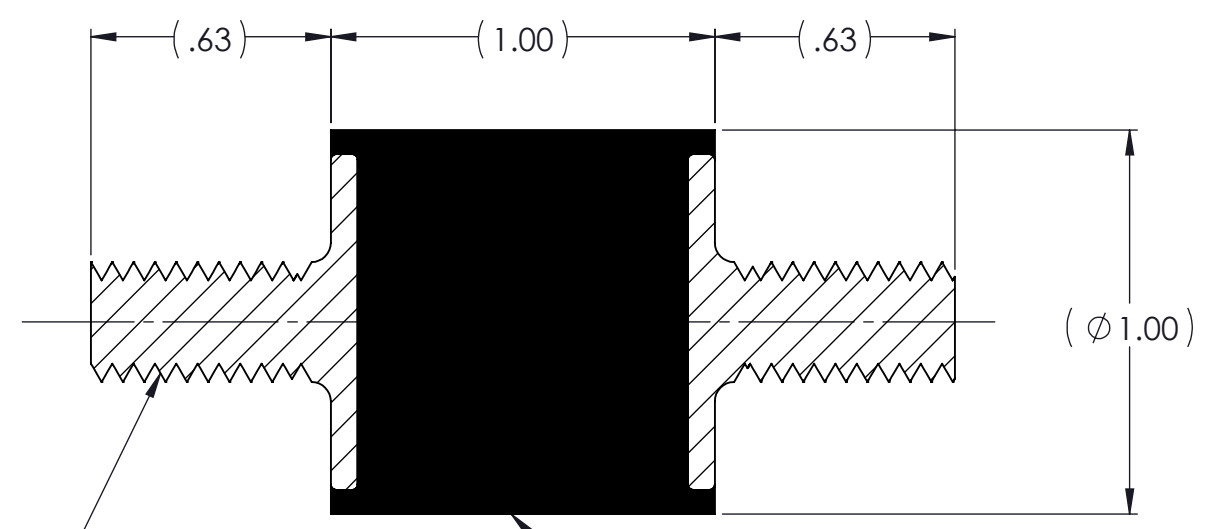
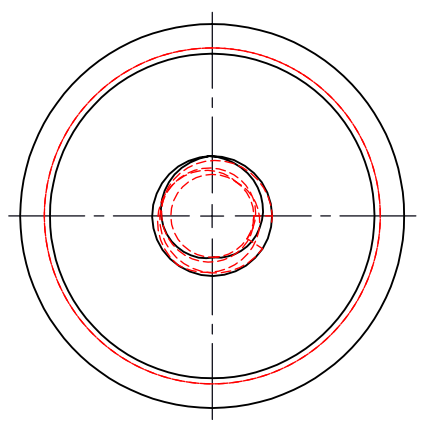


REVISIONS			
REV.	DESCRIPTION	DATE	APPROVED
1	INITIAL RELEASE OF DRAWING	8/8/2014	BS



2 OR 3 4

NOTES:

- 1 MATERIAL: ELASTOMER AND DUROMETER OF 40, 50, 60 OR 70 TO BE SPECIFIED.
- 2 ALL DIMENSIONS ARE REFERENCE.
- 3 AVAILABLE WITH THREADS OF 5/16-18 UNC X 5/8" AND M8 X 1.25 X 5/8".

QTY.	DESCRIPTION	PART NUMBER	MATERIAL OR NOTES	ITEM
AR	ELASTOMER	K44-4	1	4
2	MK440-M8-5/8	MK440-M8-5/8		3
2	MK440	MK440		2
	K44	K44		1

PROPRIETARY AND CONFIDENTIAL		SIGNATURE	DATE
<small>THE INFORMATION CONTAINED IN THIS DRAWING IS THE SOLE PROPERTY OF KARMAN RUBBER. ANY REPRODUCTION IN PART OR AS A WHOLE WITHOUT THE WRITTEN PERMISSION OF KARMAN RUBBER IS PROHIBITED.</small>		DRAWN	B. SENEAL 08/08/2014
		CHECK	S. BROWN 08/08/2014
		ENGR	B. SENEAL 08/08/2014
		QA	
		STRESS	
		APPR	

UNLESS OTHERWISE SPECIFIED:
 DIMENSIONS ARE IN INCHES
 TOLERANCES:
 .X =
 .XX = ± 0.031
 .XXX =
 ANGLES = ± 1°
 INTERPRET GEOMETRIC TOLERANCING PER: ASME Y14.5M-1994



TITLE: **K44 SERIES VIBRO-INSULATOR**
WWW.KARMAN.COM

SIZE	CAGE CODE	DWG. NO.	REV
B		K44	1
DO NOT SCALE DRAWING		SCALE: 2:1	WEIGHT: 1.05 OZ. SHEET 1 OF 1